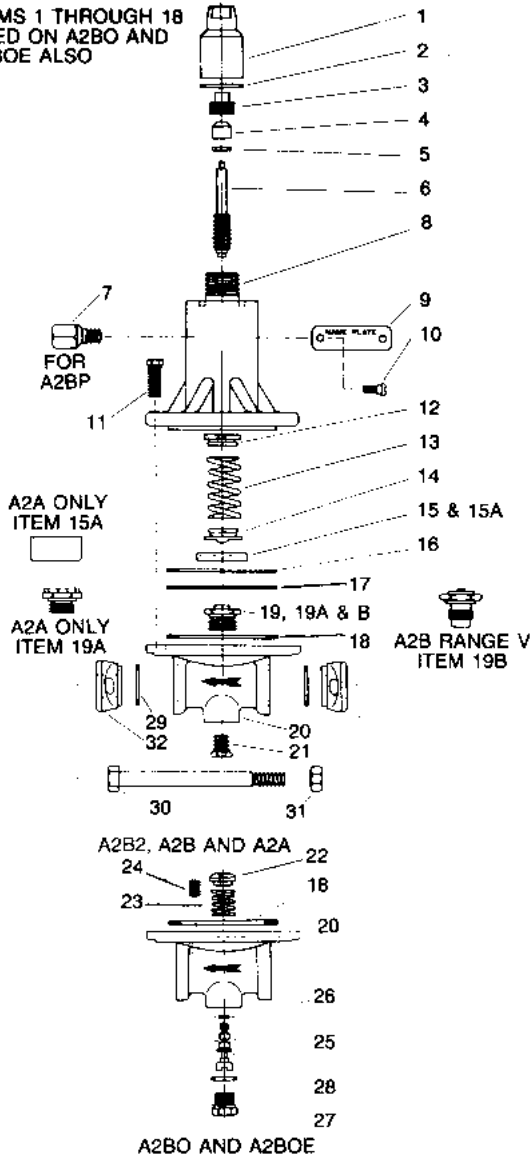


ITEMS 1 THROUGH 18  
USED ON A2BO AND  
A2BOE ALSO



**A2A Parts Kits**

| Item           | Description              | Quantity | Kit No. |
|----------------|--------------------------|----------|---------|
| 3              | Nut, Packing             | 1        |         |
| 4              | Packing, Stem            | 1        |         |
| 5              | Washer, Flat             | 1        |         |
| 6              | Stem, Adjusting          | 1        |         |
| 12             | Plate, Spring, Upper     | 1        |         |
| 14             | Plate, Spring, Lower     | 1        |         |
| 13             | Spring, Range, Comp      | 1        |         |
| 15A            | Follower, Diaphragm      | 1        |         |
| 3-6, 12-15     | <b>Spring/Stem Kit</b>   |          |         |
|                | Range A                  |          | 202344  |
|                | Range D                  |          | 202345  |
|                | Spring/Stem Kit          | 1        |         |
| 1              | Seal Cap                 | 1        |         |
| 2              | Gasket                   | 1        |         |
| 8              | Bonnet                   | 1        |         |
| 11             | Screw, Hex Hd.           | 8        |         |
| 16             | Gasket                   | 1        |         |
| 1-2, 8, 11, 16 | <b>Bonnet/Spring Kit</b> |          |         |
|                | Range D                  |          | 202359  |
| 17             | Diaphragm                | 1        |         |
| 16             | Gasket                   | 1        |         |
| 18             | Gasket                   | 1        |         |
| 16-18          | <b>Diaphragm Kit</b>     |          |         |
|                | Ranges A & D             |          | 200771  |
| 19B            | Seat, Pilot              | 1        |         |
|                | Diaphragm Kit            | 1        |         |
|                | <b>Seat Kit, Pilot</b>   |          |         |
|                | Ranges A & D             |          | 202005  |
| 5              | Washer, Flat             | 1        |         |
| 3              | Nut, Packing             | 1        |         |
| 4              | Packing, Stem            | 1        |         |
| 3-5            | <b>Packing Kit, Stem</b> |          | 202100  |
| 1              | Seal Cap                 | 1        |         |
| 2              | Gasket                   | 1        |         |
| 1-2            | <b>Cap Kit, Seal</b>     |          | 202110  |
| 29             | <b>Gaskets, Flange</b>   | 12       | 202078  |