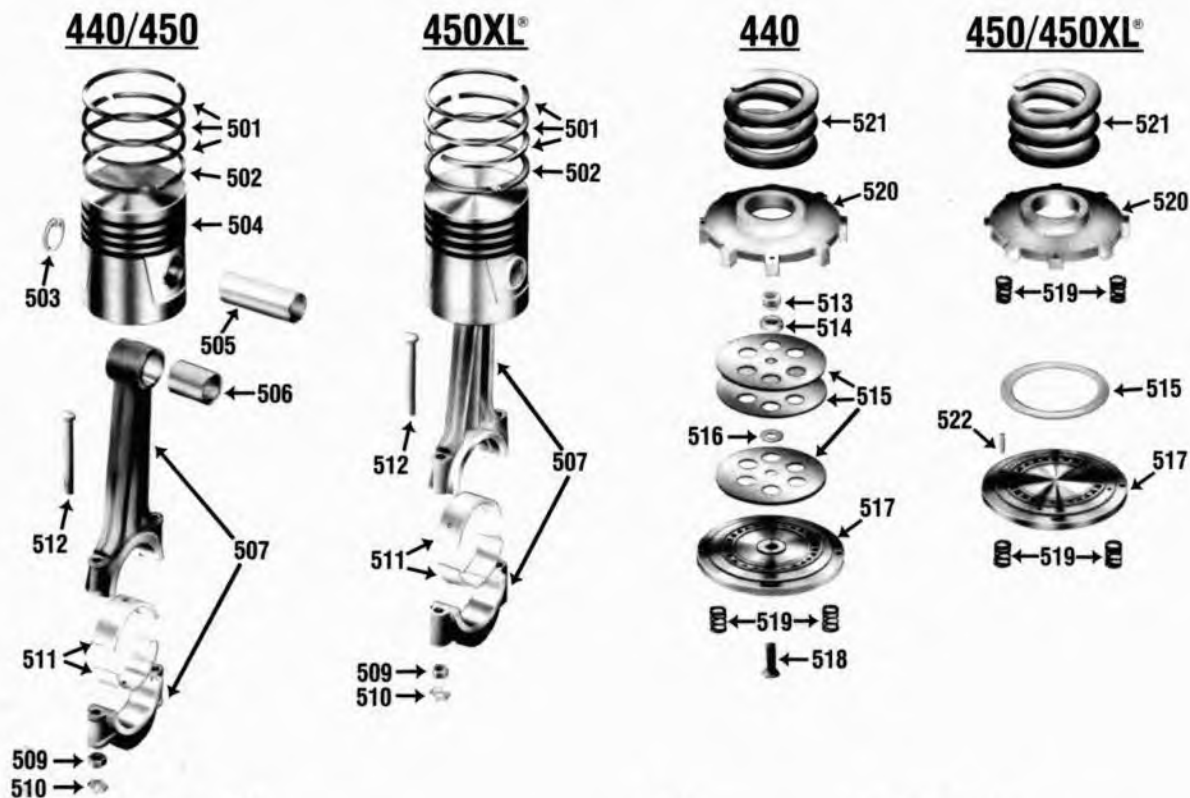


PISTON, CONNECTING ROD & SAFETY HEAD



Reference Number	440	Vilter Part Number	450	450XL	Description
501	31989M	31989M	31989M		Piston Ring, Compression
502	31989N	31989N	31989N		Piston Ring, Oil
503	33244A	33244A	-		Snap Ring, Piston Pin
501-505	KT213	KT213	-		Piston, Rings, and Pin Kit
501-512	KT478	KT478	KT573		Piston, Rings, and Connecting Rod Assembly
506-512	KT463	KT463	-		Connecting Rod with Bearings
506	31896B	31896B	-		Bushing, Piston Pin
507	See Kits Above				Connecting Rod
509	2027A	2027A	2027A		Nut, 3/8" UNF, Hex.
510	2028A	2028A	2028A		Nut, 3/8" Lock
511	KT512	KT512	KT575		Bearing Set, Connecting Rod - Standard
511	KT513A	KT513A	KT399A		Bearing Set, Connecting Rod - 0.015" Undersize
511	KT513	KT513	KT399B		Bearing Set, Connecting Rod - 0.030" Undersize
512	31955A	31955A	31955A		Bolt, Connecting Rod
513-518	A32695C	-	-		Safety Head Assembly - Ammonia

Reference Number	440	Vilter Part Number	450	450XL	Description
513-518	A32695D	-	-		Safety Head Assembly - Halocarbon
513	1776B	-	-		Nut 3/8" Lock Valve Retaining
514	31990B	-	-		Washer, Diaphragm Valve
515	31939B	-	-		Valve, Diaphragm Discharge
515	-	35080SS	35080SS		Plate, Discharge Valve
516	31990A	-	-		Spacer, Diaphragm Valve
517	33531B	-	-		Safety Head, Ammonia
517	33532B	-	-		Safety Head, Halocarbon
517/522	-	A35082A	A35082A		Safety Head & Pins Assembly - Ammonia
517/522	-	-	A35272A		Safety Head & Pins Assembly - Halocarbon
518	31964A	-	-		Screw, Valve Retaining - 60° (Old Style)
518	1527B	-	-		Screw, Valve Retaining - 82°
519	33803A	33803A	33803A		Spring, Valve
520	31941B	-	-		Yoke, Safety Head
520/522	-	KT543	KT543		Safety Head Yoke and Pin Kit
521	31882A	35252A	35252A		Spring, Safety Head
522	-	1712F	1712F		Pin, 3/16" X 11/16" Roll