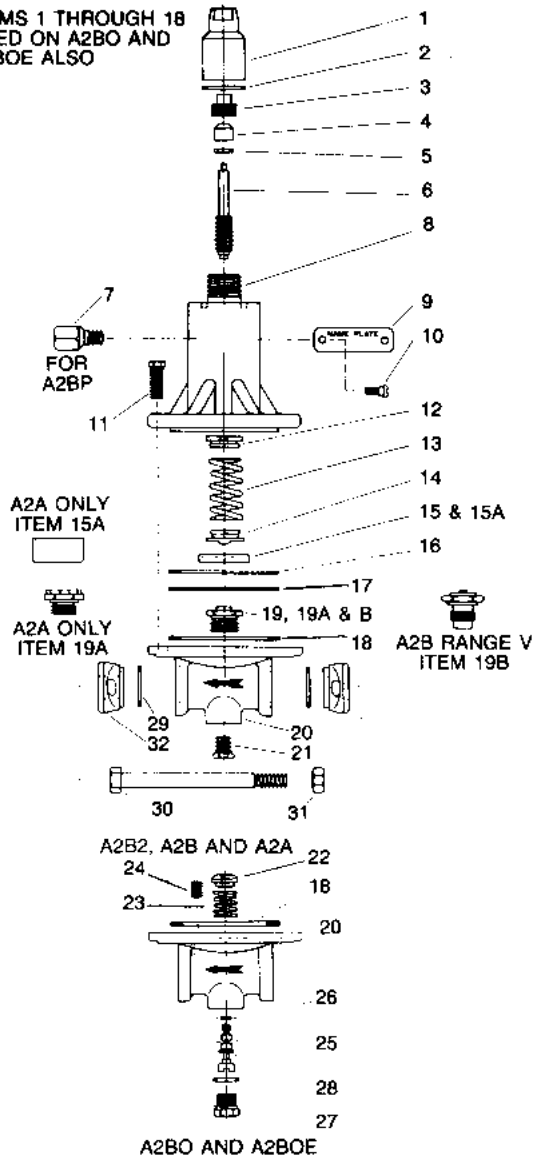


ITEMS 1 THROUGH 18  
USED ON A2BO AND  
A2BOE ALSO



**A2B, A2B2 Parts Kits**

Item	Description	Quantity	Kit No.
3	Nut, Packing	1	
4	Packing, Stem	1	
5	Washer, Flat	1	
6	Stem, Adjusting	1	
12	Plate, Spring, Upper	1	
14	Plate, Spring, Lower	1	
13	Spring, Range, Comp	1	
15	Follower, Diaphragm	1	
3-6, 12-15	<b>Spring/Stem Kit</b>		
	Ranges A & V		202006
	Range D		202007
	Spring/Stem Kit	1	
1	Seal Cap	1	
2	Gasket	1	
8	Bonnet	1	
11	Screw, Hex Hd.	8	
16	Gasket	1	
1-2, 8, 11, 16	<b>Bonnet/Spring Kit</b>		
	Ranges A & V		202008
	Range D		202009
17	Diaphragm	1	
16	Gasket	1	
18	Gasket	1	
16-18	<b>Diaphragm Kit</b>		
	Ranges A & V		200770
	Range D		200771
19	Seat, Pilot	1	
	Diaphragm Kit		
	<b>Seat Kit, Pilot</b>		
	A2B2 Range A		202000
	A2B Range A		202001
	A2B2 Range D		202002
	A2B Range D		202003
19B	Seat, Pilot	1	
	Diaphragm Kit	1	
	<b>Seat Kit, Pilot</b>		
	A2B Range V		202004
5	Washer, Flat	1	
3	Nut, Packing	1	
4	Packing, Stem	1	
3-5	<b>Packing Kit, Stem</b>		202100
1	Seal Cap	1	
2	Gasket	1	
1-2	<b>Cap Kit, Seal</b>		202110
29	<b>Gaskets, Flange</b>	12	202078

**A2BO Parts Kits**

Item	Description	Quantity	Kit No.
3	Nut, Packing	1	
4	Packing, Stem	1	
5	Washer, Flat	1	
6	Stem, Adjusting	1	
12	Plate, Spring, Upper	1	
14	Plate, Spring, Lower	1	
13	Spring, Range, Comp	1	
15	Follower, Diaphragm	1	
3-6, 12-15	<b>Spring/Stem Kit</b> Range D		202007
	Spring/Stem Kit		1
1	Seal Cap		1
2	Gasket		1
8	Bonnet		1
11	Screw, Hex Hd.		8
16	Gasket		1
1-2, 8, 11, 16	<b>Bonnet/Spring Kit</b> Range D		202009
17	Diaphragm	1	
16	Gasket	1	
18	Gasket	1	
16-18	<b>Diaphragm Kit</b> Ranges A & V		200770
	Range D		200771
27	Plug, Seal		1
28	O-Ring		1
	<b>Plug Kit, Pilot</b>		201394
25	Plug, Pilot		1
26	O-Ring (A2BO*E Only)		1
28	O-Ring		1
22	Nut, Retainer		1
18	Gasket		1
23	Spring		1
	<b>Plug Kit, Pilot</b> Ranges V & D		
	A2BO1		200776
	A2BO2		200777
	A2BO4		200778
5	Washer, Flat	1	
3	Nut, Packing	1	
4	Packing, Stem	1	
3-5	<b>Packing Kit, Stem</b>		202100
1	Seal Cap	1	
2	Gasket	1	
1-2	<b>Cap Kit, Seal</b>		202110
29	<b>Gaskets, Flange</b>	12	202078